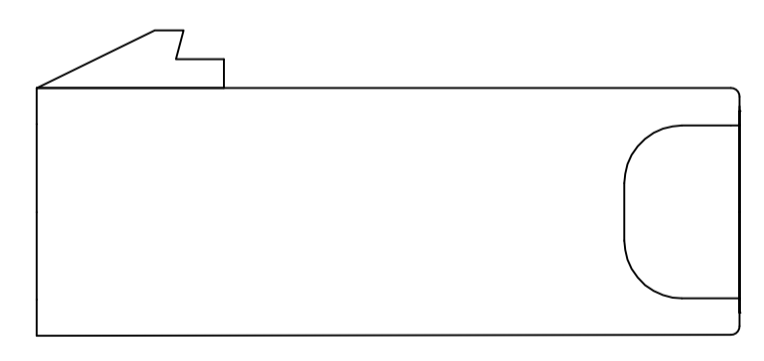
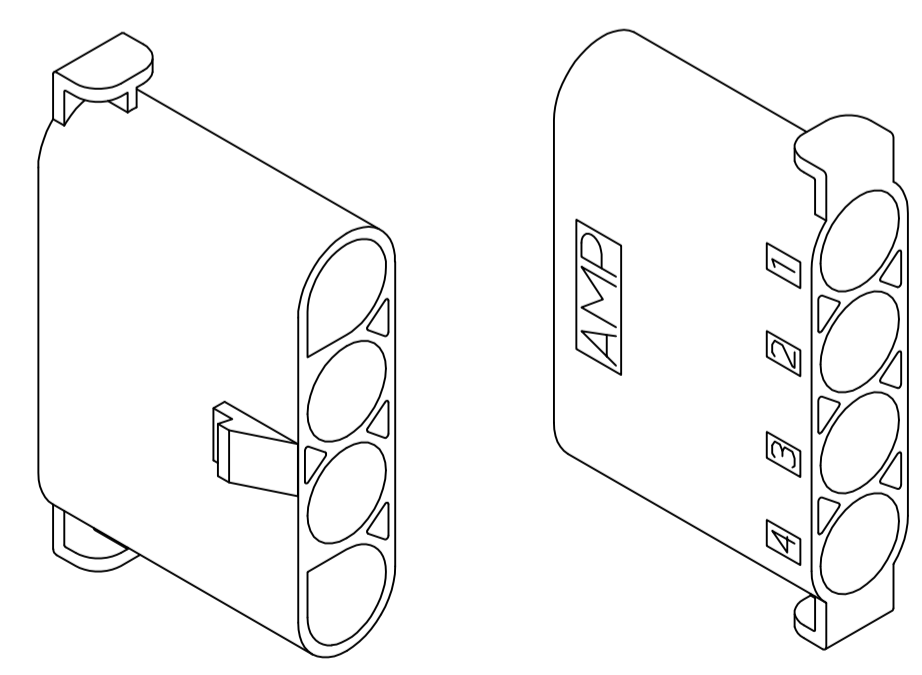
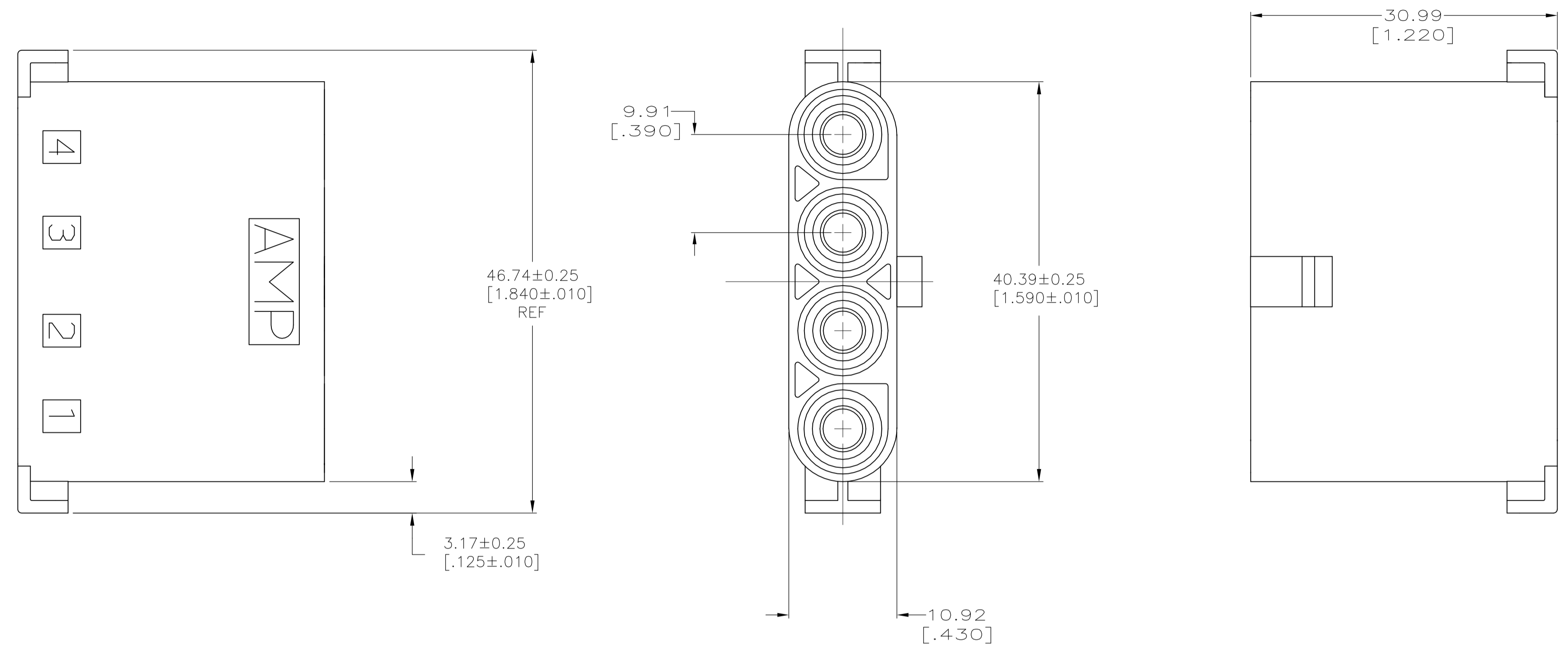


LOC	DIST	REVISIONS					
CM	53	P	LTR	DESCRIPTION	DATE	DWN	APVD
		B		ECO-07-027216	16NOV07	KW	CC

1. TO BE USED WITH APPROPRIATE .156 MATE-N-LOK™ PINS.
2. DIMENSIONS IN BRACKETS ARE IN INCHES.



794117-1
PART NUMBER

METRIC

THIS DRAWING IS A CONTROLLED DOCUMENT.		DIN B. LEWIS 4-19-96	Tyco Electronics Corporation Harrisburg, PA 17105-3608	
DIMENSIONS: mm [INCHES]		CHK R. SWING 4-19-96	APVD C. MARTIN 4-30-96	NAME CAP. 4 CIRCUIT, .156 MATE-N-LOK(TM)
TOLERANCES UNLESS OTHERWISE SPECIFIED:		APPLICATION SPEC		
0. PLC	± .005	SIZE A1		
1. PLC	± .005	CAGE CODE 00779		
2. PLC	± .005	DRAWING NO. 794117		
3. PLC	± 0.13 (.005)	RESTRICTED TO		
4. PLC	± .005	WEIGHT		
ANGLES	± .005	CUSTOMER DRAWING		
MATERIAL NYLON		SCALE 3:1		SHEET 1 OF 1